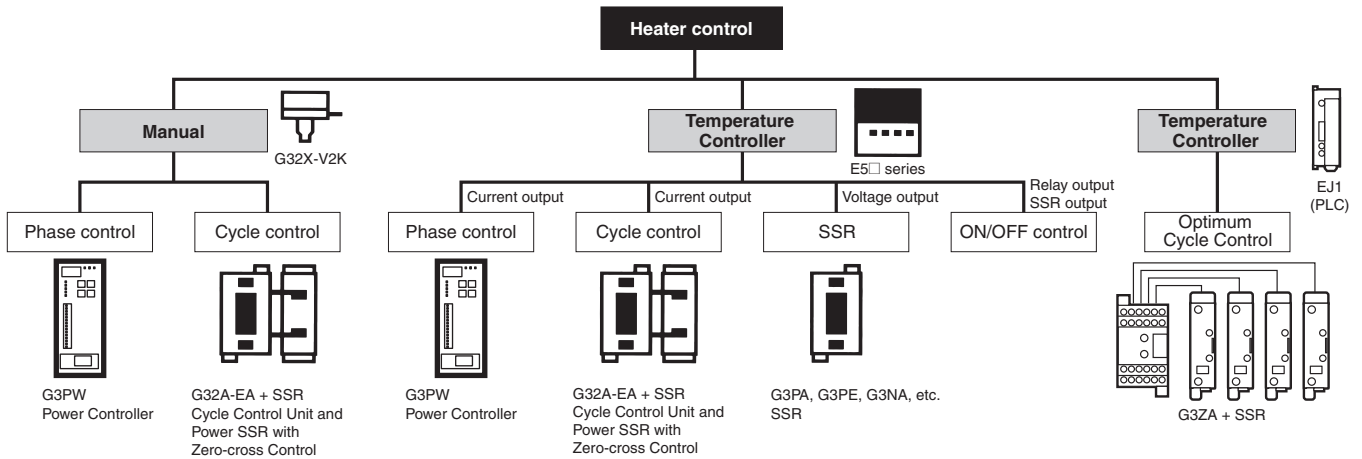
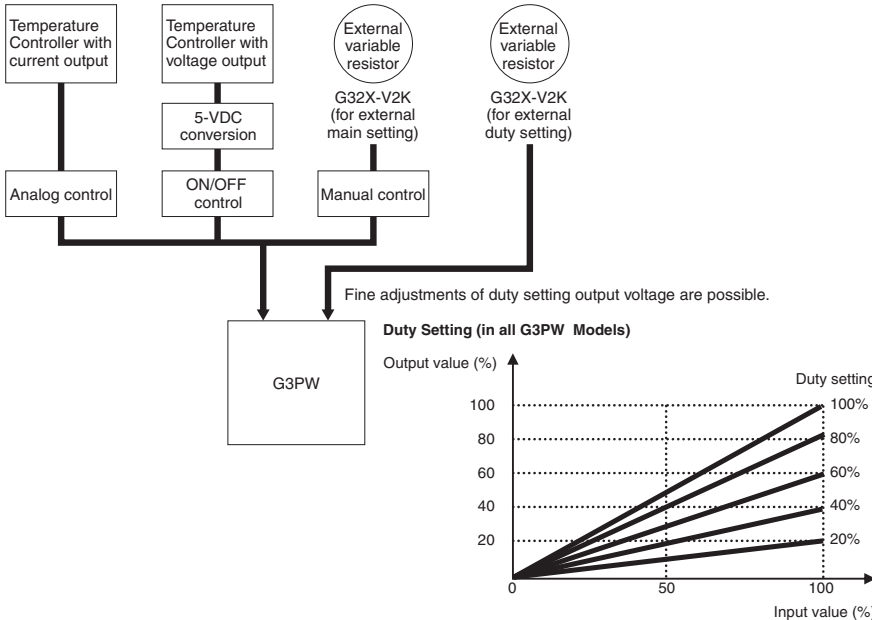


## Overview of Power Controllers

### Example of Combining Different Types of Heater Control



### G3PW Control Methods



### Analog Control

The change in current output of the Temperature Controller between 4 and 20 mA is used for precise heater control by the G3PX, which outputs smoothly adjusted power. Fine adjustments of the heater temperature are possible with external or internal duty setting.

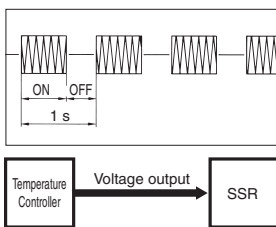
### ON/OFF Control

The voltage output of the Temperature Controller is used for ON/OFF heater control. Fine adjustments of the heater temperature are possible with external or internal duty setting.

### Manual Control

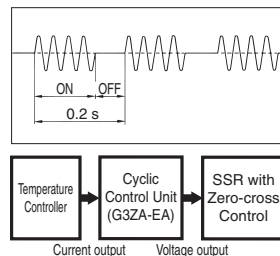
Output adjustments are possible with an external variable resistor.

### ON/OFF Control



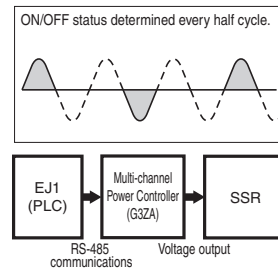
Enables noiseless temperature control at low cost with no complicated maintenance work required.

### Cycle Control



Noiseless, high-speed response

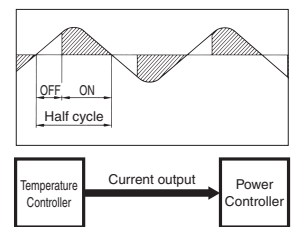
### Optimum Cycle Control (High-accuracy zero-cross control)



Multi-channel heater control using communications. High-speed response with no noise.

**Note:** Optimum cycle control can be achieved with the G3PW as well.

### Phase Control



Highly accurate temperature control enables each heater to withstand long use.