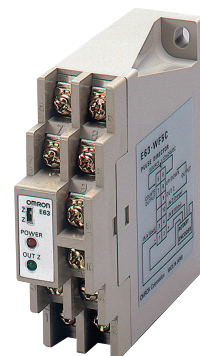



## Detects the Rotary Encoder Direction

- Input phase difference signal from the Encoder to detect the direction of rotation.
- High-speed response at 120 kHz.
- Mounts to DIN Track. Thin design enables superb mounting efficiency.
- Front-panel switch enables reversing phase Z logic. Enables connecting either voltage outputs or open-collector outputs.



 Be sure to read *Safety Precautions* on page 3.

## Ordering Information

Power supply voltage	Output configuration	Model
12 to 24 VDC	Open-collector output	<b>E63-WF5C</b>

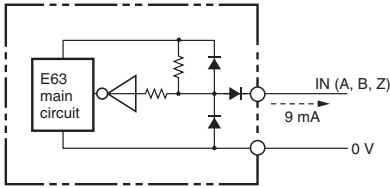
## Ratings and Specifications

### Direct Discrimination Unit [Refer to *Dimensions* on page 4.]

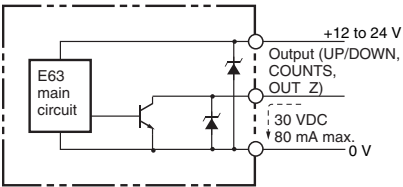
Item	Model	E63-WF5C
Power supply voltage		12 VDC –10% to 24 VDC +15%, ripple (p-p): 5% max.
Current consumption		50 mA max.
Input	Input signal	Phases A, B, and Z (phase difference signals)
	Phase difference	90° ±45° max.
	ON	6 mA max. at 0 to 2 V
	OFF	1.5 mA max. at 8 to 24 V
	Input short current	9 mA
	Max. applied voltage	30 V max.
	Input impedance	Approx. 1 Ω
Output	Output signal	UP/DOWN (direction detection), COUNTS output (count), OUT Z
	Output configuration	Open-collector output
	Output capacity	Applied voltage: 30 VDC max. Sink current: 80 mA max. Residual voltage: 1 V max. (at sink current of 80 mA) Residual voltage: 0.4 V max. (at sink current of 20 mA)
Maximum response frequency		120 kHz
Output response time		2 μs max.
Indicators		Power indicator (red), Phase Z output indicator (green)
Ambient temperature range		Operating: –10 to 55°C (with no icing), Storage: –25 to 80°C (with no icing)
Ambient humidity range		Operating/Storage: 35% to 85% (with no condensation)
Vibration resistance		Destruction: 10 to 55 Hz, 1.5-mm double amplitude for 2 hours each in X, Y, and Z directions
Shock resistance		Destruction: 300 m/s <sup>2</sup> 3 times each in X, Y, and Z directions
Connection method		Terminal block
Material		Case: ABS
Weight (packed state)		Approx. 100 g
Accessories		Instruction manual (S3D8 Connector is not provided.)

I/O Circuit Diagrams

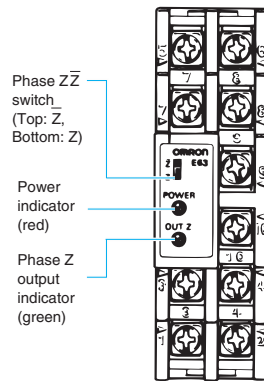
Input Circuits (IN A, IN B, IN Z)



Output Circuits (UP/DOWN, COUNTS, OUT Z)



Operate

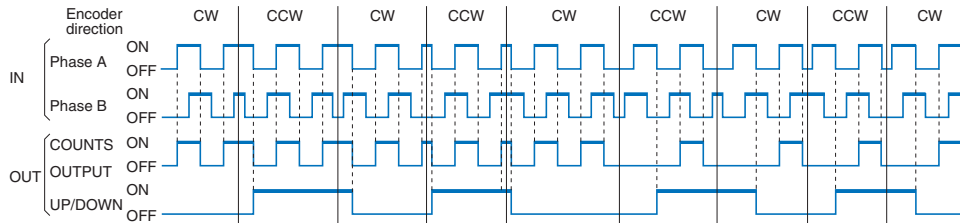


Terminal No.	Signal
1	0 V (common)
2	Encoder power supply: 12 to 24 VDC
3	IN A
4	IN B
5	0 V (common)
6	Power supply: 12 to 24 V
7	COUNTS output
8	UP/DOWN
9	OUT Z
10	IN Z

Note: Terminals 2 and 6 are connected internally.

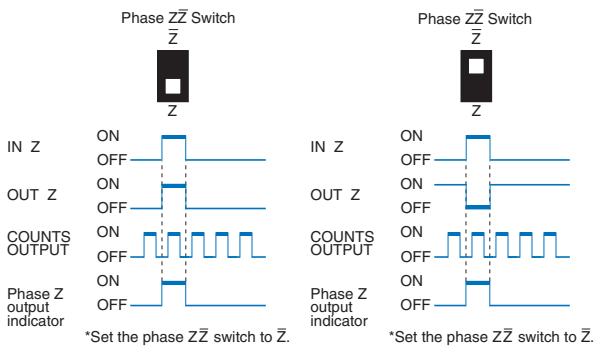
Timing Charts

Relation between Inputs (phase A and phase B) and Outputs (COUNTS, UP/DOWN)

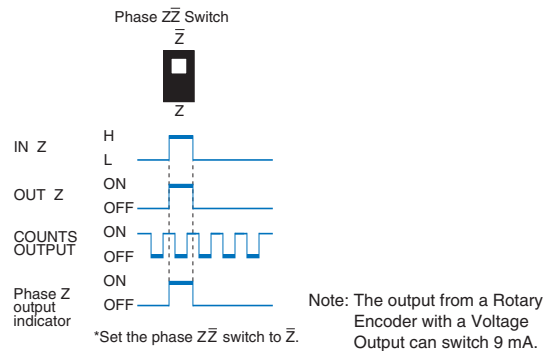


Relation between IN Z and OUT Z

Using a Rotary Encoder with an Open-collector Output



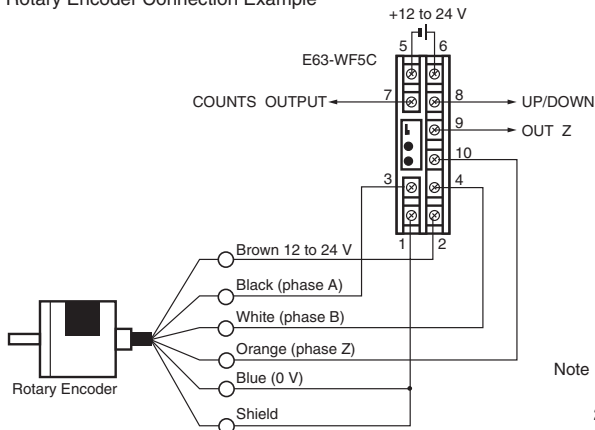
Using a Rotary Encoder with a Voltage Output



Note: The output from a Rotary Encoder with a Voltage Output can switch 9 mA.

Connection

Rotary Encoder Connection Example



- Note 1: Used only to reset the counter using phase Z. When doing so, set the phase Z Z-bar switch to Z-bar and use a Rotary Encoder with an Open-collector Output.
- Note 2: When using phase Z, be sure that the width of phase Z is the same as or wider than the width of phase A.
- Note 3: Use one of the following Rotary Encoders: E6A2-CW3C, E6A2-CW5C, E6A2-CWZ3C, E6B2-CWZ6C, E6H-CWZ6C, E6C2-CWZ6C, or E6D-CWZ2C.

## Safety Precautions

Refer to *Warranty and Limitations of Liability*.

### WARNING

This product is not designed or rated for ensuring safety of persons either directly or indirectly.  
Do not use it for such purposes.

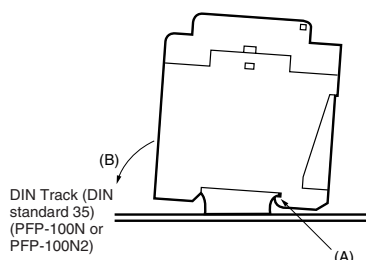


### Precautions for Correct Use

Do not use the Encoder under ambient conditions that exceed the ratings.

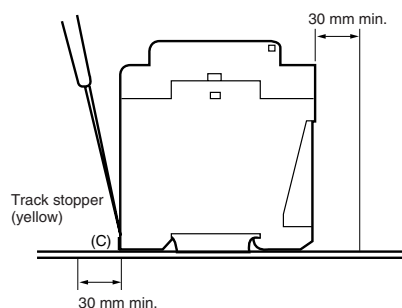
#### ● Mounting

- Mount to DIN Track as shown in the following diagram.
- Hook part (A) at the top of the E63-WF on the DIN Track first and then press in on the E63-WF in the direction indicated by (B).



#### ● Removal from DIN Track

Pull down on the track stopper (C) with a flat-blade screwdriver and then remove the E63-WF from the DIN Track. When using DIN standard 35 track, keep other devices on the track separated from the E63-WF by at least 30 mm to facilitate mounting and removal.



- Do not place the connection cable together with high-voltage cables. Keep it isolated from other cables whenever possible.
- The response speed of the E63-WF is 120 kHz. Do not allow the Rotary Encoder to exceed this speed.

#### ● Connection

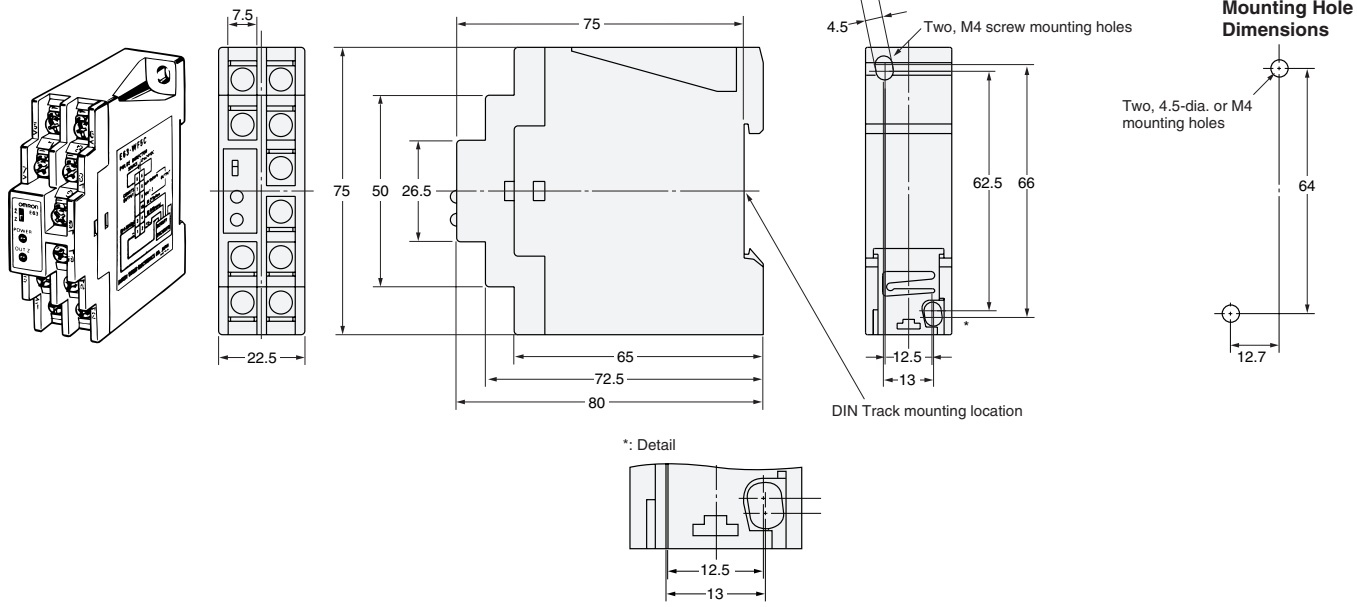
Spurious pulses may be generated when power is turned ON and OFF. Wait at least 0.1 s after turning ON the power to the Encoder before using the connected device, and stop using the connected device at least 0.1 s before turning OFF the power to the Encoder. Also, turn ON the power to the load only after turning ON the power to the Encoder.

(Unit: mm)

Dimensions

Tolerance class IT16 applies to dimensions in this datasheet unless otherwise specified.

E63-WF



## Terms and Conditions Agreement

### Read and understand this catalog.

Please read and understand this catalog before purchasing the products. Please consult your OMRON representative if you have any questions or comments.

### Warranties.

(a) Exclusive Warranty. Omron's exclusive warranty is that the Products will be free from defects in materials and workmanship for a period of twelve months from the date of sale by Omron (or such other period expressed in writing by Omron). Omron disclaims all other warranties, express or implied.

(b) Limitations. OMRON MAKES NO WARRANTY OR REPRESENTATION, EXPRESS OR IMPLIED, ABOUT NON-INFRINGEMENT, MERCHANTABILITY OR FITNESS FOR A PARTICULAR PURPOSE OF THE PRODUCTS. BUYER ACKNOWLEDGES THAT IT ALONE HAS DETERMINED THAT THE PRODUCTS WILL SUITABLY MEET THE REQUIREMENTS OF THEIR INTENDED USE.

Omron further disclaims all warranties and responsibility of any type for claims or expenses based on infringement by the Products or otherwise of any intellectual property right. (c) Buyer Remedy. Omron's sole obligation hereunder shall be, at Omron's election, to (i) replace (in the form originally shipped with Buyer responsible for labor charges for removal or replacement thereof) the non-complying Product, (ii) repair the non-complying Product, or (iii) repay or credit Buyer an amount equal to the purchase price of the non-complying Product; provided that in no event shall Omron be responsible for warranty, repair, indemnity or any other claims or expenses regarding the Products unless Omron's analysis confirms that the Products were properly handled, stored, installed and maintained and not subject to contamination, abuse, misuse or inappropriate modification. Return of any Products by Buyer must be approved in writing by Omron before shipment. Omron Companies shall not be liable for the suitability or unsuitability or the results from the use of Products in combination with any electrical or electronic components, circuits, system assemblies or any other materials or substances or environments. Any advice, recommendations or information given orally or in writing, are not to be construed as an amendment or addition to the above warranty.

See <http://www.omron.com/global/> or contact your Omron representative for published information.

### Limitation on Liability: Etc.

OMRON COMPANIES SHALL NOT BE LIABLE FOR SPECIAL, INDIRECT, INCIDENTAL, OR CONSEQUENTIAL DAMAGES, LOSS OF PROFITS OR PRODUCTION OR COMMERCIAL LOSS IN ANY WAY CONNECTED WITH THE PRODUCTS, WHETHER SUCH CLAIM IS BASED IN CONTRACT, WARRANTY, NEGLIGENCE OR STRICT LIABILITY.

Further, in no event shall liability of Omron Companies exceed the individual price of the Product on which liability is asserted.

### Suitability of Use.

Omron Companies shall not be responsible for conformity with any standards, codes or regulations which apply to the combination of the Product in the Buyer's application or use of the Product. At Buyer's request, Omron will provide applicable third party certification documents identifying ratings and limitations of use which apply to the Product. This information by itself is not sufficient for a complete determination of the suitability of the Product in combination with the end product, machine, system, or other application or use. Buyer shall be solely responsible for determining appropriateness of the particular Product with respect to Buyer's application, product or system. Buyer shall take application responsibility in all cases.

NEVER USE THE PRODUCT FOR AN APPLICATION INVOLVING SERIOUS RISK TO LIFE OR PROPERTY OR IN LARGE QUANTITIES WITHOUT ENSURING THAT THE SYSTEM AS A WHOLE HAS BEEN DESIGNED TO ADDRESS THE RISKS, AND THAT THE OMRON PRODUCT(S) IS PROPERLY RATED AND INSTALLED FOR THE INTENDED USE WITHIN THE OVERALL EQUIPMENT OR SYSTEM.

### Programmable Products.

Omron Companies shall not be responsible for the user's programming of a programmable Product, or any consequence thereof.

### Performance Data.

Data presented in Omron Company websites, catalogs and other materials is provided as a guide for the user in determining suitability and does not constitute a warranty. It may represent the result of Omron's test conditions, and the user must correlate it to actual application requirements. Actual performance is subject to the Omron's Warranty and Limitations of Liability.

### Change in Specifications.

Product specifications and accessories may be changed at any time based on improvements and other reasons. It is our practice to change part numbers when published ratings or features are changed, or when significant construction changes are made. However, some specifications of the Product may be changed without any notice. When in doubt, special part numbers may be assigned to fix or establish key specifications for your application. Please consult with your Omron's representative at any time to confirm actual specifications of purchased Product.

### Errors and Omissions.

Information presented by Omron Companies has been checked and is believed to be accurate; however, no responsibility is assumed for clerical, typographical or proofreading errors or omissions.

2022.1

In the interest of product improvement, specifications are subject to change without notice.

**OMRON Corporation**  
Industrial Automation Company

<http://www.ia.omron.com/>

(c)Copyright OMRON Corporation 2022 All Right Reserved.