

General-purpose Enclosed Switches with High Breaking Capacity and High Durability



- Z General-purpose Basic Switches are built into ZE, ZV, and ZV2 Switches. They provided high durability and high breaking capacity.
- X Basic Switches with magnetic blowout are built into XE, XV, and XV2 Switches. DC models have also been added to the series.
- Three mounting methods (side, base, and diagonal side) and many types of actuator are available.
- Terminals face the front when the cover is removed for easy connection.
- Switches with ground terminals have CE marking.
- Approved by UL, CSA, and CCC (Chinese standard). (Ask your OMRON representative for information on approved models.)



For the most recent information on models that have been certified for safety standards, refer to your OMRON website.

Be sure to read *Safety Precautions* on page 8 to 9 and *Safety Precautions for All Limit Switches*.

Model Number Structure

Model Number Legend (Not all combinations are possible. Ask your OMRON representative for details.)

□□-□-2□
(1)(2) (3) (4)

(1) Built-in Switch

- Z : SPDT (AC)
- X : SPDT (DC)

(2) Mounting Direction

- E : Side mounting
- V : Base mounting
- V2 : Diagonal side mounting

(3) Actuator










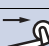
- Q : Plunger
- Q22 : Roller plunger
- Q21 : Crossroller plunger
- QA2 : Roller arm lever
- QA277 : One-way action roller arm lever
- N : Sealed plunger
- N22 : Sealed roller plunger (ZE, ZV, ZV2 only)
- N21 : Sealed crossroller plunger (ZE, ZV, ZV2 only)
- NA2 : Sealed roller arm lever
- NA277 : Sealed one-way action roller arm lever

(4) Conduit/Ground Terminal *

- None : G 1/2/without ground terminal
- G1 : G 1/2/with ground terminal
- G : Pg13.5/with ground terminal
- SG1 : 1/2-14NPSM/with ground terminal
- YG1 : M20/with ground terminal
- S : 1/2-14NPSM/without ground terminal
- Y : M20/without ground terminal

* Consult with your OMRON representative concerning availability, pricing, and delivery of conduit sizes and ground terminal specifications other than those on standard models.

Ordering Information

| Mounting | | | Side mounting | | | | Base mounting | | | | Diagonal side mounting | | | |
|--|---------------------------------|---|---|------------|--------------------|-----|---------------|--------|--------------------|-------------|------------------------|---|--------------------|-----|
| | | | Model | | Approved standards | | Model | | Approved standards | | Model | | Approved standards | |
| | | | | | UL | CSA | | | UL | CSA | | | UL | CSA |
| General purpose | Plunger |  | AC | ZE-Q-2 | ● | ● | ZV-Q-2 | ● | ● | ZV2-Q-2 | ● | ● | | |
| | | | DC | XE-Q-2 | | | XV-Q-2 | | | XV2-Q-2 | | | | |
| | Roller plunger |  | AC | ZE-Q22-2 | ● | ● | ZV-Q22-2 | ● | ● | ZV2-Q22-2 | ● | ● | | |
| | | | DC | XE-Q22-2 | | | XV-Q22-2 | | | XV2-Q22-2 | | | | |
| | Crossroller plunger |  | AC | ZE-Q21-2 | ● | ● | ZV-Q21-2 | ● | ● | ZV2-Q21-2 | ● | ● | | |
| | | | DC | XE-Q21-2 | | | XV-Q21-2 | | | — | | | | |
| | Roller arm lever |  | AC | ZE-QA2-2 | ● | ● | ZV-QA2-2 | ● | ● | ZV2-QA2-2 | ● | ● | | |
| | | | DC | XE-QA2-2 | | | XV-QA2-2 | | | XV2-QA2-2 | | | | |
| | One-way action roller arm lever |  | AC | ZE-QA277-2 | ● | ● | — | | | ZV2-QA277-2 | ● | ● | | |
| | | | DC | XE-QA277-2 | | | — | | | — | | | | |
| | Sealed (Booted) | Sealed plunger |  | AC | ZE-N-2 | ● | ● | ZV-N-2 | ● | ● | ZV2-N-2 | ● | ● | |
| | | | | DC | XE-N-2 | | | XV-N-2 | | | XV2-N-2 | | | |
| Sealed roller plunger | |  | AC | ZE-N22-2 | ● | ● | ZV-N22-2 | ● | ● | ZV2-N22-2 | ● | ● | | |
| Sealed crossroller plunger | |  | AC | ZE-N21-2 | ● | ● | ZV-N21-2 | ● | ● | ZV2-N21-2 | ● | ● | | |
| Sealed roller arm lever | |  | AC | ZE-NA2-2 | ● | ● | ZV-NA2-2 | ● | ● | ZV2-NA2-2 | ● | ● | | |
| | | | DC | XE-NA2-2 | | | XV-NA2-2 | | | XV2-NA2-2 | | | | |
| One-way action sealed roller arm lever | |  | AC | ZE-NA277-2 | ● | ● | ZV-NA277-2 | ● | ● | ZV2-NA277-2 | ● | ● | | |
| | | | DC | XE-NA277-2 | | | — | | | XV2-NA277-2 | | | | |

Note: 1. The diagonal side mounting model feature improved sealing property, improved mounting strength through use of M5 screws, increased stability in seating with large mounting width (31 x 75 mm) and permit coupling of a number of Switch units.
 2. Ask your OMRON representative for information on models with ground terminals.

Specifications

Approved Standards

| Agency | Standard | File No. |
|-----------|-----------------|--|
| UL | UL508 | E76675 |
| CSA | CSA C22.2 No.14 | LR45746 |
| CCC (CQC) | GB/T14048.5 | Contact your OMRON representative for details. |

Note: 1. Models XE, XV, and XV2 are not approved by UL, CSA, and CCC.
 2. Ask your OMRON representative for information on approved models.

Ratings

| Model | Rated voltage | Non-inductive load (A) | | | | Inductive load (A) | | | |
|-----------------------|---------------|------------------------|------|-----------|------|--------------------|------|------------|----|
| | | Resistive load | | Lamp load | | Inductive load | | Motor load | |
| | | NC | NO | NC | NO | NC | NO | NC | NO |
| ZE-□ ZV-□ ZV2-□ | 125 VAC | 15 | 3 | 1.5 | 15 | 5 | 2.5 | | |
| | 250 VAC | 15 | 2.5 | 1.25 | 15 | 3 | 1.5 | | |
| | 480 VAC | 10 | 1.5 | 0.75 | 6 | 1.5 | 0.75 | | |
| | 125 VDC | 0.5 | 0.5 | | 0.05 | | 0.05 | | |
| | 250 VDC | 0.25 | 0.25 | | 0.03 | | 0.03 | | |
| | 8 VDC | 10 | 3 | 1.5 | 10 | 5 | 2.5 | | |
| XE-□ XV-□ XV2-□ | 14 VDC | 10 | 3 | 1.5 | 10 | 5 | 2.5 | | |
| | 30 VDC | 10 | 3 | 1.5 | 10 | 5 | 2.5 | | |
| | 125 VDC | 10 | 3 | 1.5 | 7.5 | 6 | 2.5 | | |
| | 250 VDC | 3 | 1.5 | 0.75 | 2 | 1.5 | 2 | | |

| Inrush current | NC | 30 A max. |
|----------------|----|-----------|
| | NO | 15 A max. |

Note: 1. The above figures are for standard currents.
 2. Inductive loads have a power factor of 0.4 min. (AC) and a time constant of 7 ms max. (DC).
 3. Lamp load has an inrush current of 10 times the steady-state current.
 4. Motor load has an inrush current of 6 times the steady-state current.

Approved Standard Ratings
UL/CSA

| Model | Rated voltage | Current | Horsepower |
|-------|---------------|---------|------------|
| ZE | 125 VAC | 15 A | 1/8HP |
| | 250 VAC | 15 A | 1/4HP |
| | 480 VAC | 15 A | |
| | 125 VDC | 0.5 A | --- |
| | 250 VDC | 0.25 A | |

CCC (GB/T14048.5)

| Applicable category and ratings |
|---------------------------------|
| AC-12 10 A/250 VAC |

Characteristics

| | | |
|--------------------------------------|--|--|
| Degree of protection | | IP65 (EN60947-5-1)*1 |
| Durability *2 | Mechanical | Z□: 10,000,000 operations min. X□: 1,000,000 operations min. |
| | Electrical | Z□: 500,000 operations min., for 15 A, 250 VAC resistive load X□: 100,000 operations min., for 10 A, 125 VDC resistive load |
| Operating speed | | Plunger type: 0.01 mm/s to 0.5 m/s Lever type: 0.02 mm/s to 0.5 m/s |
| Operating frequency | Mechanical | 120 operations/min |
| | Electrical | 20 operations/min |
| Rated frequency | | 50/60 Hz |
| Insulation resistance | | 100 MΩ min. (at 500 VDC) |
| Contact resistance | | 15 mΩ max. (initial value) |
| Terminal temperature rise | | 50°C max. |
| Dielectric strength | Between terminals of the same polarity | 1,000 VAC, 50/60 Hz for 1 min |
| | Between current-carrying metal part and ground | Z□: 2,000 VAC, 50/60 Hz for 1 min X□: 1,500 VAC, 50/60 Hz for 1 min |
| | Between each terminal and non-current-carrying metal part | Z□: 2,000 VAC, 50/60 Hz for 1 min X□: 1,500 VAC, 50/60 Hz for 1 min |
| Vibration resistance | Malfunction | 10 to 55 Hz, 1.5-mm double amplitude*3 |
| Shock resistance *3 | Destruction | 1,000m/s ² max. |
| | Malfunction | 100 m/s ² max.*4 50 m/s ² max.*5 |
| Ambient operating temperature | | -10°C to +80°C (with no icing) |
| Ambient operating humidity | | General-purpose type: 35% to 85%RH Sealed type: 35% to 95%RH |
| Weight | | Approx. 260 to 280 g |

Note: The above figures are initial values.

*1. IP65 for □-N models and IP60 for □-Q models. The degree of protection is tested using the method specified by the standard (EN60947-5-1). Confirm that sealing properties are sufficient for the operating conditions and environment beforehand.

*2. The values are calculated at an operating temperature of +5°C to +35°C, and an operating humidity of 40% to 70%RH. Contact your OMRON sales representative for more detailed information on other operating environments.

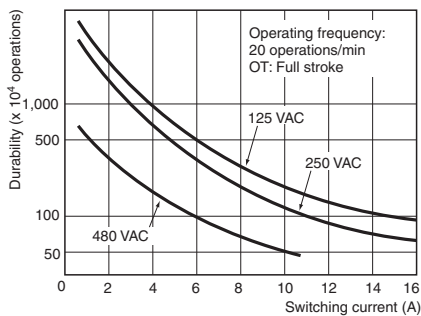
*3. At the operation limit positions.

*4. Only for plunger, sealed plunger, roller arm lever, and sealed roller arm lever.

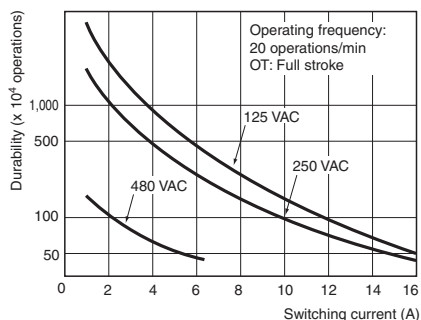
*5. Only for crossroller plunger, sealed crossroller plunger, roller plunger, and sealed roller plunger.

Engineering Data
Electrical Durability

ZE (cosφ = 1)

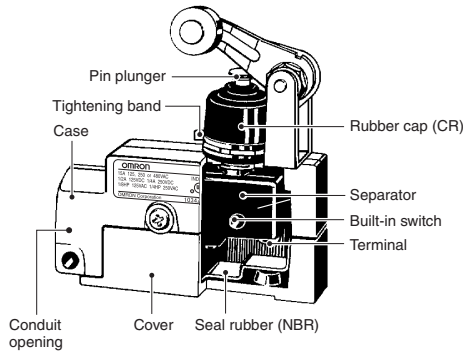


ZE (cosφ = 0.4)



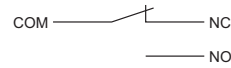
Structure and Nomenclature

Structure
ZE-NA2-2



Note: The conduit thread indication has been changed from "PF1/2" to "G1/2" accompanying the JIS B 0202 revision. This changes applies only to the indication; thread sizes and pitches have not been affected.

Contact Form



Note: With the XE-□, XV-□, and XV2-□□, be sure to connect COM to the + terminal.

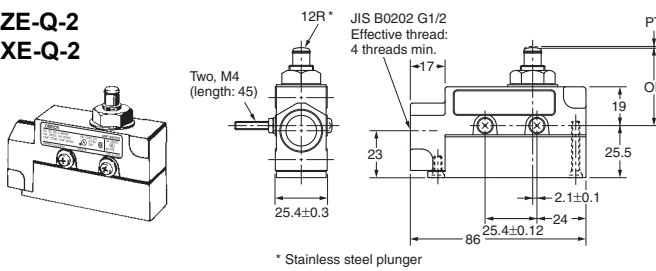
Dimensions and Operating Characteristics

(Unit: mm)

Side Mounting Models

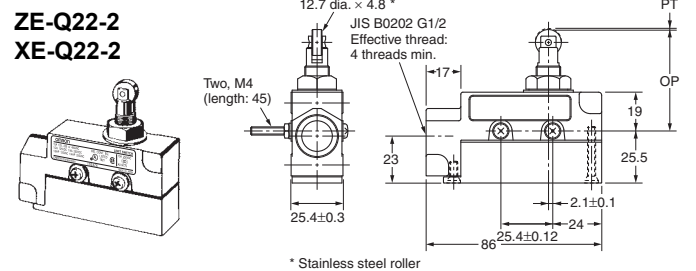
Plunger

ZE-Q-2
XE-Q-2



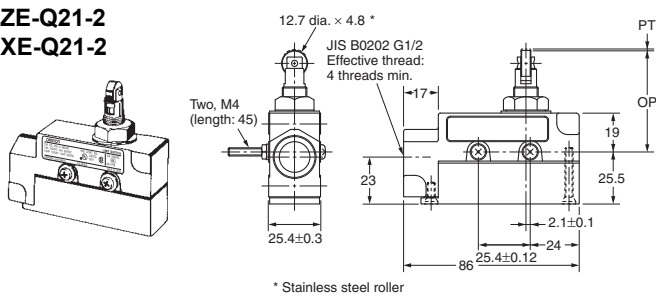
Roller Plunger

ZE-Q22-2
XE-Q22-2



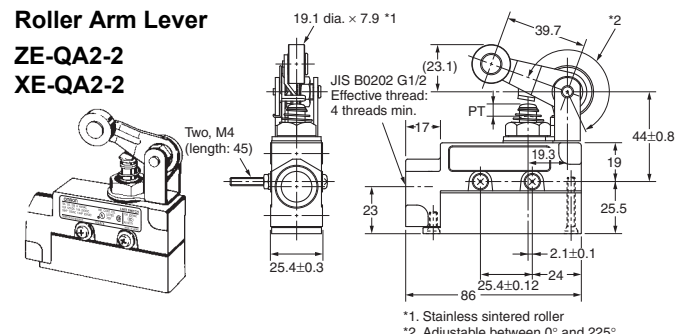
Crossroller Plunger

ZE-Q21-2
XE-Q21-2



Roller Arm Lever

ZE-QA2-2
XE-QA2-2

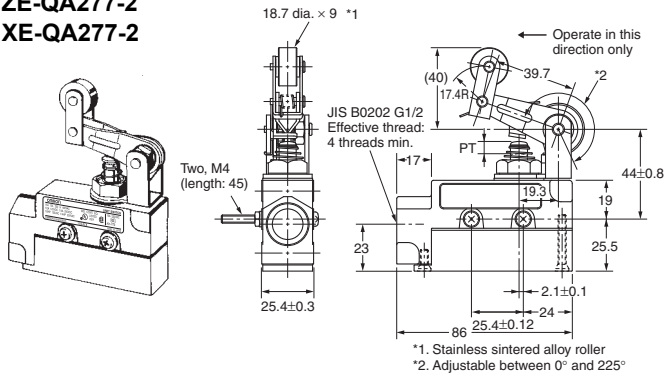


Note: 1. Unless otherwise specified, a tolerance of ±0.4 mm applies to all dimensions.
2. The diagrams shown the Switches with two, M4 screws (length: 45) attached. (The screws are provided.)

| Operating characteristics | Model | ZE-Q-2 | XE-Q-2 | ZE-Q22-2 | XE-Q22-2 | ZE-Q21-2 | XE-Q21-2 | ZE-QA2-2 | XE-QA2-2 |
|---------------------------|---------|----------------|-------------|----------------|-------------|----------------|-------------|-------------|-------------|
| Operating force | OF | 2.45 to 3.43 N | 5.00 N max. | 2.45 to 3.43 N | 5.00 N max. | 2.45 to 3.43 N | 5.00 N max. | 5.59 N max. | 6.47 N max. |
| Release force | RF min. | 1.12 N | 1.12 N | 1.12 N | 1.12 N | 1.12 N | 1.12 N | 1.67 N | 1.67 N |
| Pretravel | PT max. | 0.4 mm | 0.9 mm | 0.5 mm | 0.9 mm | 0.5 mm | 0.9 mm | 4 mm | 6 mm |
| Over Travel | OT min. | 5.5 mm | 5.5 mm | 3.6 mm | 3.6 mm | 3.6 mm | 3.6 mm | 6 mm | 5.5 mm |
| Movement Differential | MD max. | 0.05 mm | 0.47 mm | 0.05 mm | 0.47 mm | 0.05 mm | 0.47 mm | 0.4 mm | 0.72 mm |
| Operating Position | OP | 38.2±0.8 mm | | 49.7±1 mm | | 49.7±1 mm | | --- | |

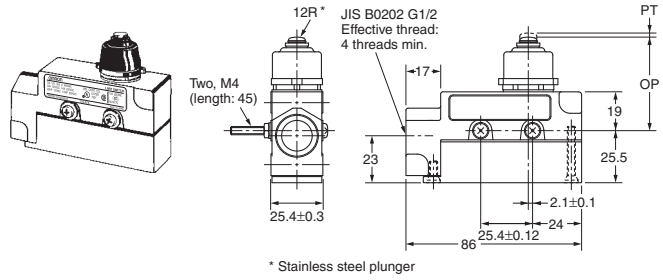
One-way Action Roller Arm Lever

ZE-QA277-2
XE-QA277-2



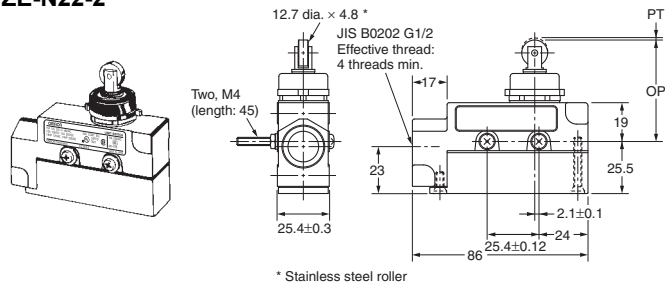
Sealed Plunger

ZE-N-2
XE-N-2



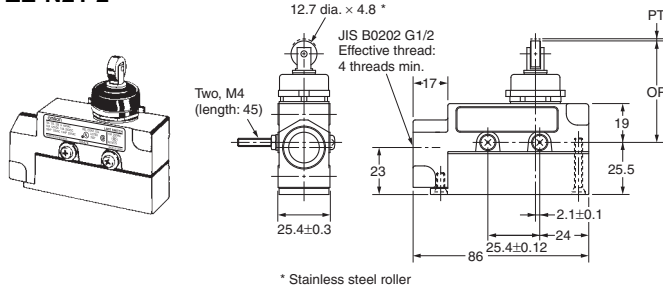
Sealed Roller Plunger

ZE-N22-2



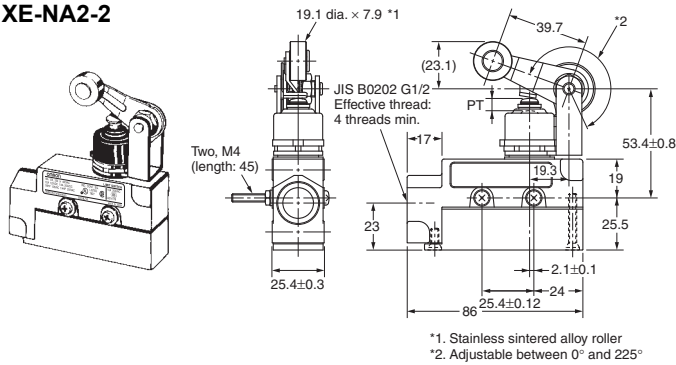
Sealed Crossroller Plunger

ZE-N21-2



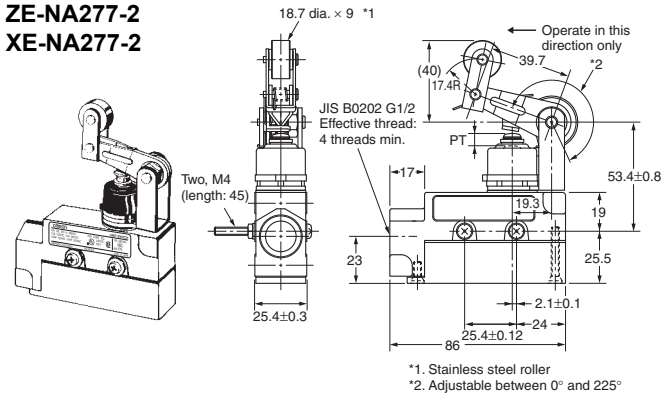
Sealed Roller Arm Lever

ZE-NA2-2
XE-NA2-2



One-way Action Sealed Roller Arm Lever

ZE-NA277-2
XE-NA277-2



Note: 1. Unless otherwise specified, a tolerance of ± 0.4 mm applies to all dimensions.

2. The diagrams shown the Switches with two, M4 screws (length: 45) attached. (The screws are provided.)

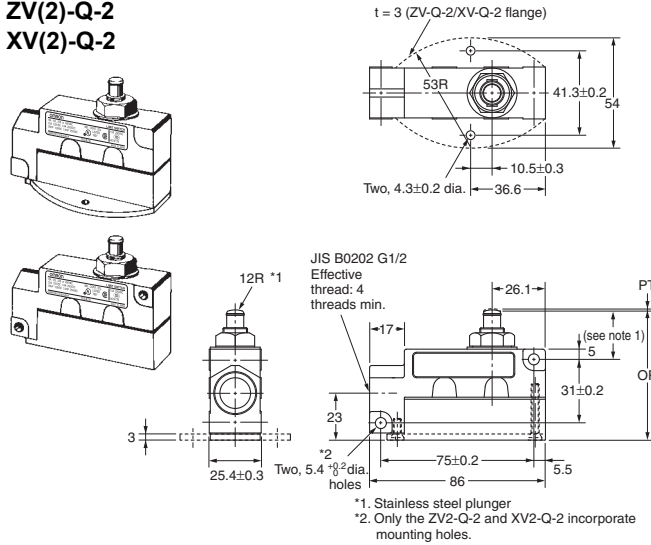
| | ZE-QA277-2 | XE-QA277-2 | ZE-N-2 | XE-N-2 | ZE-N22-2 |
|---------|------------|------------|-------------|---------|-------------|
| OF max. | 5.59 N | 6.47 N | 7.85 N | 10.20 N | 4.90 N |
| RF min. | 1.67 N | 1.67 N | 2.35 N | 2.35 N | 0.98 N |
| PT max. | 4 mm | 6 mm | 2 mm | 3 mm | 1 mm |
| OT min. | 6 mm | 5.5 mm | 5 mm | 4 mm | 3.5 mm |
| MD max. | 0.4 mm | 0.72 mm | 0.1 mm | 0.47 mm | 0.12 mm |
| OP | --- | | 45.8±0.8 mm | | 49.7±0.8 mm |

| | ZE-N21-2 | ZE-NA2-2 | XE-NA2-2 | ZE-NA277-2 | XE-NA277-2 |
|---------|-------------|----------|----------|------------|------------|
| OF max. | 4.90 N | 6.28 N | 7.26 N | 6.28 N | 7.26 N |
| RF min. | 0.98 N | 2.26 N | 2.26 N | 2.26 N | 2.26 N |
| PT max. | 1 mm | 5 mm | 6 mm | 5 mm | 6 mm |
| OT min. | 3.5 mm | 6 mm | 5.5 mm | 6 mm | 5.5 mm |
| MD max. | 0.12 mm | 0.4 mm | 0.72 mm | 0.4 mm | 0.72 mm |
| OP | 49.7±0.8 mm | --- | | --- | |

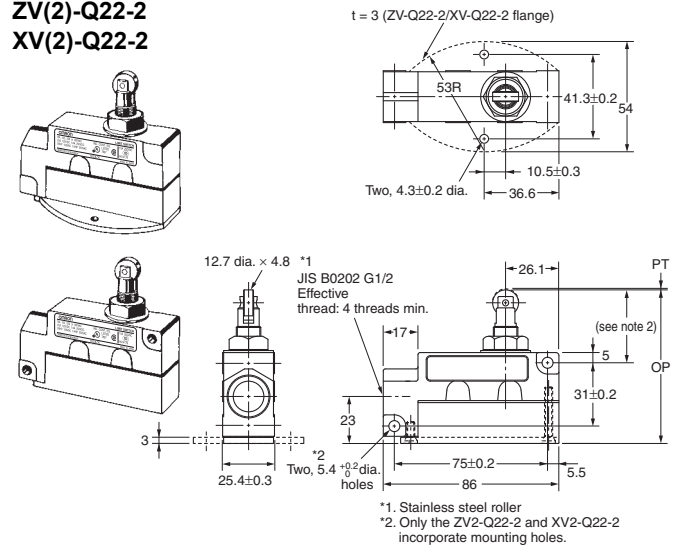
Base Mounting/Diagonal Side Mounting Models

The diagrams show the base-mounted model (ZV-□ or XV-□) on top and the diagonal side-mounted model (ZV2-□ or XV2-□) on bottom. The flange on base-mounted models is shown with dotted lines.

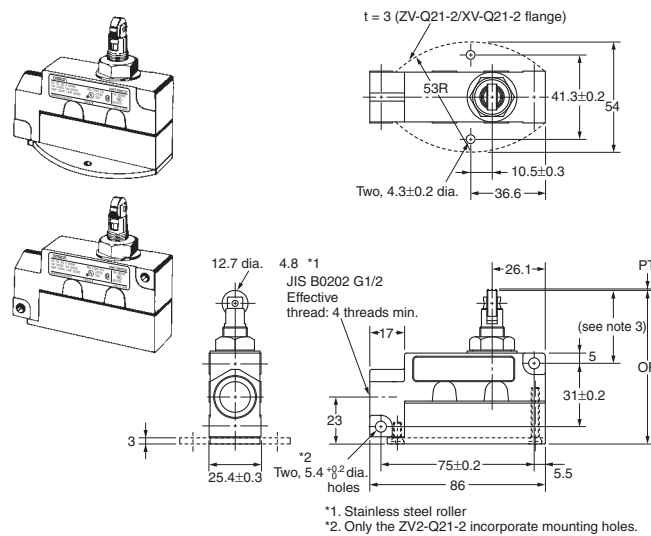
Plunger
ZV(2)-Q-2
XV(2)-Q-2



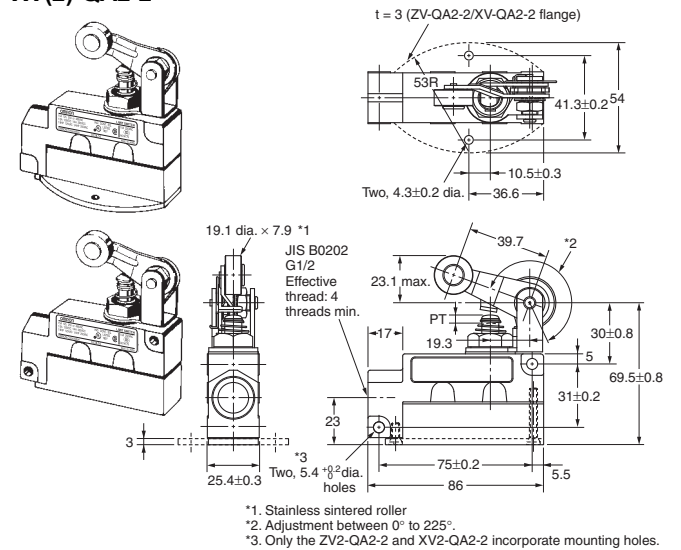
Roller Plunger
ZV(2)-Q22-2
XV(2)-Q22-2



Crossroller Plunger
ZV(2)-Q21-2
XV-Q21-2



Roller Arm Lever
ZV(2)-QA2-2
XV(2)-QA2-2

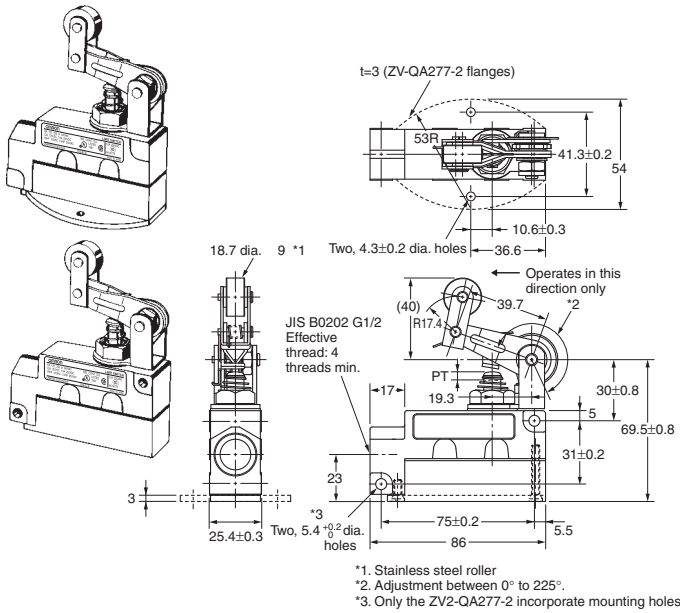


Note: Unless otherwise specified, a tolerance of ±0.4 mm applies to all dimensions.

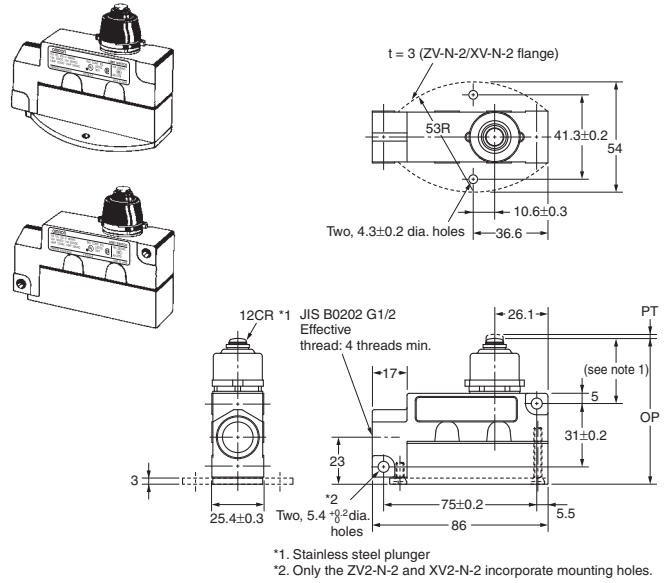
| | ZV-Q-2 ZV2-Q-2 | XV-Q-2 XV2-Q-2 | ZV-Q22-2 ZV2-Q22-2 | XV-Q22-2 XV2-Q22-2 | ZV-Q21-2 ZV2-Q21-2 | XV-Q21-2 | ZV-QA2-2 ZV2-QA2-2 | XV-QA2-2 XV2-QA2-2 |
|----------------|--|-------------------|--|-----------------------|--|-------------|-----------------------|-----------------------|
| OF | 2.45 to 3.43 N | 5.00 N max. | 2.45 to 3.43 N | 5.00 N max. | 2.45 to 3.43 N | 5.00 N max. | 5.59 N max. | 6.47 N max. |
| RF min. | 1.12 N | 1.12 N | 1.12 N | 1.12 N | 1.12 N | 1.12 N | 1.67 N | 1.67 N |
| PT max. | 0.4 mm | 0.9 mm | 0.5 mm | 0.9 mm | 0.5 mm | 0.9 mm | 4 mm | 6 mm |
| OT min. | 5.5 mm | 5.5 mm | 3.6 mm | 3.6 mm | 3.6 mm | 3.6 mm | 6 mm | 5.5 mm |
| MD max. | 0.05 mm | 0.47 mm | 0.05 mm | 0.47 mm | 0.05 mm | 0.47 mm | 0.4 mm | 0.72 mm |
| OP | 63.7±0.8 mm (see note 1) (ZV-Q-2, XV-Q-2) | | 75.2±0.8 mm (see note 2) (ZV-Q22-2, XV-Q21-2) | | 75.2±0.8 mm (see note 3) (ZV-Q22-2, XV-Q21-2) | | --- | |

Note: 1. OP for ZV2-Q-2 and XV2-Q-2 is 24.2 ±0.8 mm.
2. OP for ZV2-Q22-2 and XV2-Q22-2 is 35.7 ±1 mm.
3. OP for ZV2-Q21-2 is 35.7 ±0.8 mm.

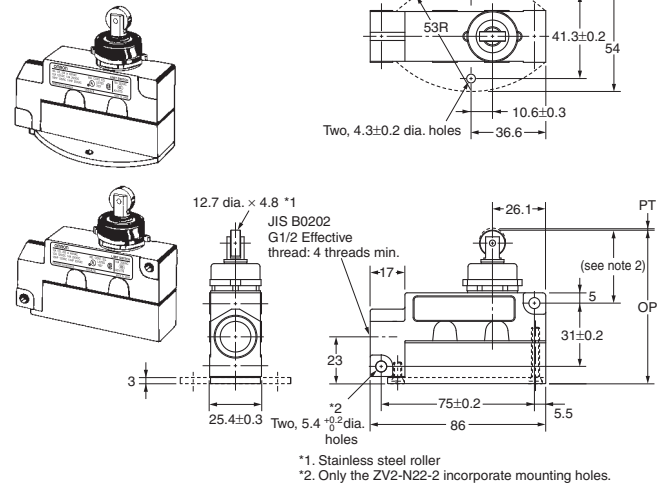
One-way Action Roller Arm Lever
ZV2-QA277-2



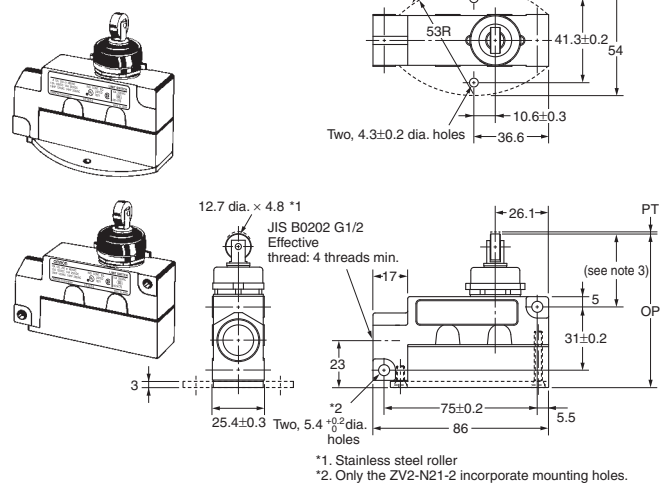
Sealed Plunger
ZV(2)-N-2
XV(2)-N-2



Sealed Roller Plunger
ZV(2)-N22-2



Sealed Crossroller Plunger
ZV(2)-N21-2



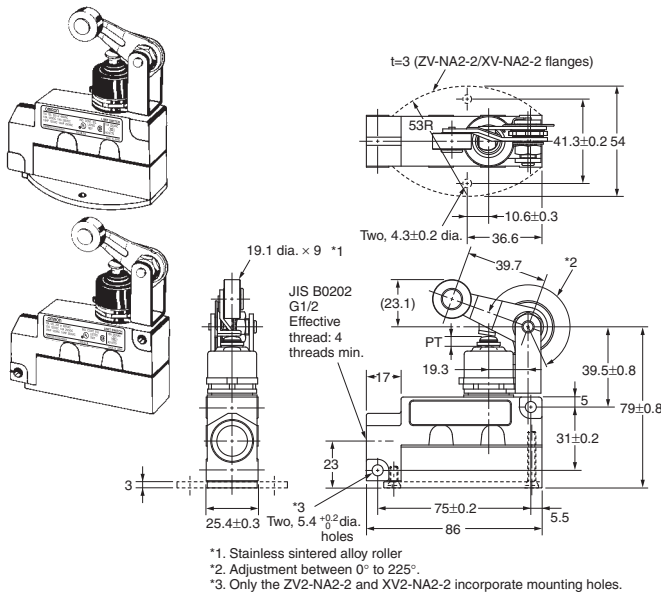
Note: Unless otherwise specified, a tolerance of ± 0.4 mm applies to all dimensions.

| | ZV2-QA277-2 | ZV-N-2 ZV2-N-2 | XV-N-2 XV2-N-2 | ZV-N22-2 ZV2-N22-2 | ZV-N21-2 ZV2-N21-2 |
|---------|-------------|--|-------------------|---|---|
| OF max. | 5.59 N | 7.85 N | 10.20 N | 4.90 N | 4.90 N |
| RF min. | 1.67 N | 2.35 N | 2.35 N | 0.98 N | 0.98 N |
| PT max. | 4 mm | 2 mm | 3 mm | 1 mm | 1 mm |
| OT min. | 6 mm | 5 mm | 4 mm | 3.5 mm | 3.5 mm |
| MD max. | 0.4 mm | 0.1 mm | 0.47 mm | 0.12 mm | 0.12 mm |
| OP | --- | 71.4±0.8 mm (see note 1) (ZV-N-2, XV-N-2) | | 75.2±0.8 mm (see note 2) (ZV-N22-2) | 75.2±0.8 mm (see note 3) (ZV-N21-2) |

Note: 1. OP for ZV2-N-2 and XV2-N-2 is 31.9 ± 0.8 mm.
2. OP for ZV2-N22-2 is 35.7 ± 0.8 mm.
3. OP for ZV2-N21-2 is 35.7 ± 0.8 mm.

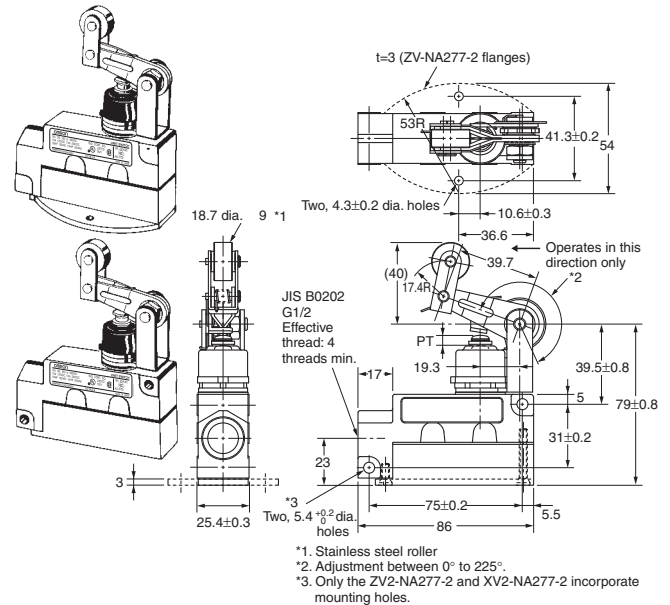
Sealed Roller Arm Lever

ZV(2)-NA2-2
XV(2)-NA2-2



One-way Action Sealed Roller Arm Lever

ZV(2)-NA277-2
XV2-NA277-2



Note: Unless otherwise specified, a tolerance of ±0.4 mm applies to all dimensions.

| | ZV-NA2-2 ZV2-NA2-2 | XV-NA2-2 XV2-NA2-2 | ZV-NA277-2 ZV2-NA277-2 | XV2-NA277-2 |
|---------|-----------------------|-----------------------|---------------------------|-------------|
| OF max. | 6.28 N | 7.26 N | 6.28 N | 7.26 N |
| RF min. | 2.26 N | 2.26 N | 2.26 N | 2.26 N |
| PT max. | 5 mm | 6 mm | 5 mm | 6 mm |
| OT min. | 6 mm | 5.5 mm | 6 mm | 5.5 mm |
| MD max. | 0.4 mm | 0.72 mm | 0.4 mm | 0.72 mm |

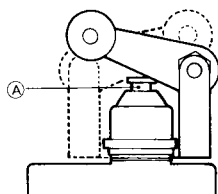
Safety Precautions

Refer to *Safety Precautions for All Limit Switches.*

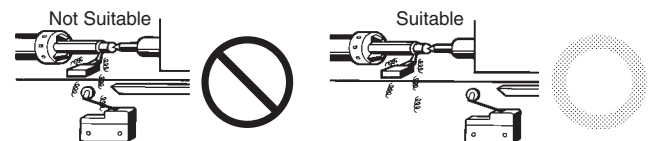
Precautions for Correct Use

Operating Environment

- Seal material may deteriorate if a Switch is used outdoor or where subject to special cutting oils, solvents, or chemicals. Always appraise performance under actual application conditions and set suitable maintenance and replacement periods.
- Be sure to protect part A with grease in order to maintain the mechanical durability and performance of the Limit Switch. The use of molybdenum disulfide grease is recommended.



- Install Switches where they will not be directly subject to cutting chips, dust, or dirt. The Actuator and Switch must also be protected from the accumulation of cutting chips or sludge.



- Constantly subjecting a Switch to vibration or shock can result in wear, which can lead to contact interference with contacts, operation failure, reduced durability, and other problems. Excessive vibration or shock can lead to false contact operation or damage. Install Switches in locations not subject to shock and vibration and in orientations that will not produce resonance.
- The Switches have physical contacts. Using them in environments containing silicon gas will result in the formation of silicon oxide (SiO₂) due to arc energy. If silicon oxide accumulates on the contacts, contact interference can occur. If silicon oil, silicon filling agents, silicon cables, or other silicon products are present near the Switch, suppress arcing with contact protective circuits (surge killers) or remove the source of silicon gas.

Mounting

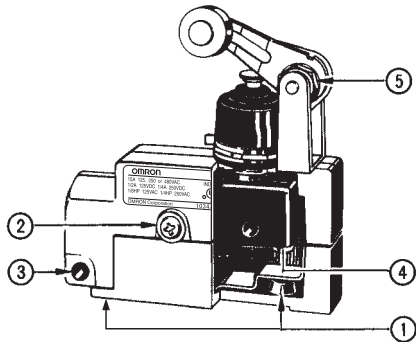
- With the Roller Lever-type Enclosed Switches, the roller arm has been temporarily tightened prior to shipment, so that its position may be adjusted later. When mounting the Switch, be sure to re-tighten the roller arm so as to prevent it from becoming loose during operation.
- To adequately maintain the seals at the mounting screw section on the side of the Enclosed Switch, insert each O-ring correctly and secure it with the lock nut.
- To provide the Switch with improved sealing property, use of the SC Connector is recommended. Refer to *Limit Switch Connectors* for details on SC Connectors.
- When routing wires into the conduit opening, be sure that cuttings and other foreign matter do not enter the Switch.

Appropriate Tightening Torque

A loose screw may result in a malfunction. Be sure to tighten each screw to the proper tightening torque as shown below.

| No. | Type | Appropriate tightening torque |
|-----|-----------------------------------|-------------------------------|
| 1 | Cover mounting screw | 1.18 to 1.37 N·m |
| 2 | Switch mounting screw*1 | 1.18 to 1.37 N·m |
| 3 | Switch mounting screw*2 | 4.90 to 5.88 N·m |
| 4 | Switch terminal screw (M4 screws) | 0.78 to 1.18 N·m |
| 5 | Roller arm mounting nut | 4.90 to 5.88 N·m |

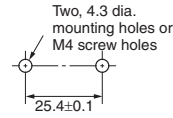
*1. This torque range applies to side mounting or bottom mounting. (M4 screws)
 *2. This torque range applies to diagonal side mounting. (M5 Allen-head bolt)



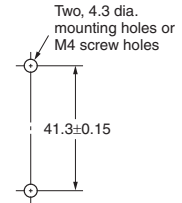
Mounting

Mounting Holes

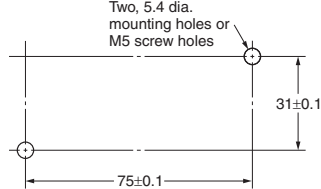
Side Mounting



Bottom Mounting



Side Diagonal Mounting

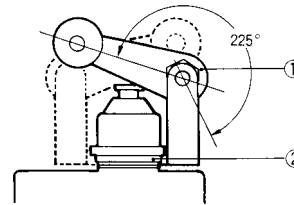


Operation

- Operating method, shape of cam or dog, operating frequency, and the overtravel (OT) have significant effect on the service life and precision of the Limit Switch. Make sure that the shape of the cam is smooth enough.
- Check that OT has a sufficient margin. The actual OT should be rated OT x 0.7 to 1.

Dedicated Wrench

1. The roller arm can be set freely within a range of 225° after loosening the nut.
2. The roller arm mounting bracket can be set in any direction after loosening the nut.



- Make sure that the nut is free of foreign substances when the nut is loosened.
- A dedicated wrench is provided separately.

| Model |
|---------------|
| SUPANA FOR ZE |

Terms and Conditions Agreement

Read and understand this catalog.

Please read and understand this catalog before purchasing the products. Please consult your OMRON representative if you have any questions or comments.

Warranties.

(a) Exclusive Warranty. Omron's exclusive warranty is that the Products will be free from defects in materials and workmanship for a period of twelve months from the date of sale by Omron (or such other period expressed in writing by Omron). Omron disclaims all other warranties, express or implied.

(b) Limitations. OMRON MAKES NO WARRANTY OR REPRESENTATION, EXPRESS OR IMPLIED, ABOUT NON-INFRINGEMENT, MERCHANTABILITY OR FITNESS FOR A PARTICULAR PURPOSE OF THE PRODUCTS. BUYER ACKNOWLEDGES THAT IT ALONE HAS DETERMINED THAT THE PRODUCTS WILL SUITABLY MEET THE REQUIREMENTS OF THEIR INTENDED USE.

Omron further disclaims all warranties and responsibility of any type for claims or expenses based on infringement by the Products or otherwise of any intellectual property right. (c) Buyer Remedy. Omron's sole obligation hereunder shall be, at Omron's election, to (i) replace (in the form originally shipped with Buyer responsible for labor charges for removal or replacement thereof) the non-complying Product, (ii) repair the non-complying Product, or (iii) repay or credit Buyer an amount equal to the purchase price of the non-complying Product; provided that in no event shall Omron be responsible for warranty, repair, indemnity or any other claims or expenses regarding the Products unless Omron's analysis confirms that the Products were properly handled, stored, installed and maintained and not subject to contamination, abuse, misuse or inappropriate modification. Return of any Products by Buyer must be approved in writing by Omron before shipment. Omron Companies shall not be liable for the suitability or unsuitability or the results from the use of Products in combination with any electrical or electronic components, circuits, system assemblies or any other materials or substances or environments. Any advice, recommendations or information given orally or in writing, are not to be construed as an amendment or addition to the above warranty.

See <http://www.omron.com/global/> or contact your Omron representative for published information.

Limitation on Liability: Etc.

OMRON COMPANIES SHALL NOT BE LIABLE FOR SPECIAL, INDIRECT, INCIDENTAL, OR CONSEQUENTIAL DAMAGES, LOSS OF PROFITS OR PRODUCTION OR COMMERCIAL LOSS IN ANY WAY CONNECTED WITH THE PRODUCTS, WHETHER SUCH CLAIM IS BASED IN CONTRACT, WARRANTY, NEGLIGENCE OR STRICT LIABILITY.

Further, in no event shall liability of Omron Companies exceed the individual price of the Product on which liability is asserted.

Suitability of Use.

Omron Companies shall not be responsible for conformity with any standards, codes or regulations which apply to the combination of the Product in the Buyer's application or use of the Product. At Buyer's request, Omron will provide applicable third party certification documents identifying ratings and limitations of use which apply to the Product. This information by itself is not sufficient for a complete determination of the suitability of the Product in combination with the end product, machine, system, or other application or use. Buyer shall be solely responsible for determining appropriateness of the particular Product with respect to Buyer's application, product or system. Buyer shall take application responsibility in all cases.

NEVER USE THE PRODUCT FOR AN APPLICATION INVOLVING SERIOUS RISK TO LIFE OR PROPERTY OR IN LARGE QUANTITIES WITHOUT ENSURING THAT THE SYSTEM AS A WHOLE HAS BEEN DESIGNED TO ADDRESS THE RISKS, AND THAT THE OMRON PRODUCT(S) IS PROPERLY RATED AND INSTALLED FOR THE INTENDED USE WITHIN THE OVERALL EQUIPMENT OR SYSTEM.

Programmable Products.

Omron Companies shall not be responsible for the user's programming of a programmable Product, or any consequence thereof.

Performance Data.

Data presented in Omron Company websites, catalogs and other materials is provided as a guide for the user in determining suitability and does not constitute a warranty. It may represent the result of Omron's test conditions, and the user must correlate it to actual application requirements. Actual performance is subject to the Omron's Warranty and Limitations of Liability.

Change in Specifications.

Product specifications and accessories may be changed at any time based on improvements and other reasons. It is our practice to change part numbers when published ratings or features are changed, or when significant construction changes are made. However, some specifications of the Product may be changed without any notice. When in doubt, special part numbers may be assigned to fix or establish key specifications for your application. Please consult with your Omron's representative at any time to confirm actual specifications of purchased Product.

Errors and Omissions.

Information presented by Omron Companies has been checked and is believed to be accurate; however, no responsibility is assumed for clerical, typographical or proofreading errors or omissions.