

## Catalog Correction Notice

Issue Date  
June 1, 2021

No. 2021003DE

Catalog

The mistake of the print and the description is found in the catalog that our company issued. We apologize.

### [ Name of catalog ]

“D41D High-Coded Non-Contact Safety Door Switch Datasheet”  
< Publication in April, 2021 > < Catalog number F112-E1-02>

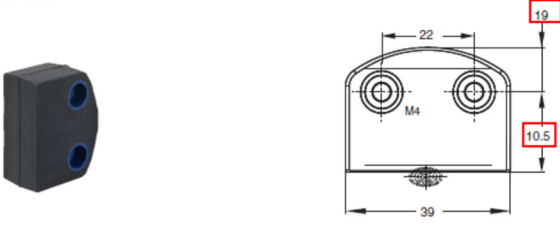
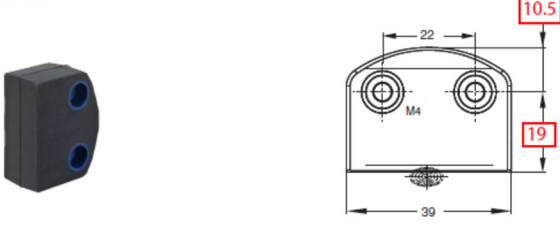
### [ Page of publishing ]

Page 14 “Dimensions” Actuator (Sold separately) D41D-A1

### [ Correction method ]

Revising the catalog.

### [ Content of correction ]

Before	After
<p><b>Dimensions</b></p> <p>Actuator (Sold separately) D41D-A1</p> 	<p><b>Dimensions</b></p> <p>Actuator (Sold separately) D41D-A1</p> 

Specifications in this product news are as of the issue date and are subject to change without notice.

Only main changes in specifications are described in this document. Please be sure to read the relevant catalogs, datasheets, product specifications, instructions, and manuals for precautions and necessary information when using products.