

## Overview of Level Controllers

### Overview

Floatless Level Controllers (61F) are electronic liquid level detectors used in a wide range of applications such as water and sewer services for office and apartment buildings, industrial applications for iron and steel, food, chemical, pharmaceutical, and semiconductor industries, and liquid level control for agricultural water, water treatment plants, and wastewater plants. When the electrodes are in contact with liquid, the circuit is closed (the liquid completes the path

for electricity to flow) and the electrical current that flows in this circuit is used to detect the level of the liquid. A variety of conductive liquids can be controlled using this method. Detecting the resistance between the electrodes and comparing it to see if it is larger or smaller than a reference resistance is used to detect the surface of the liquid.

### Operating Principle

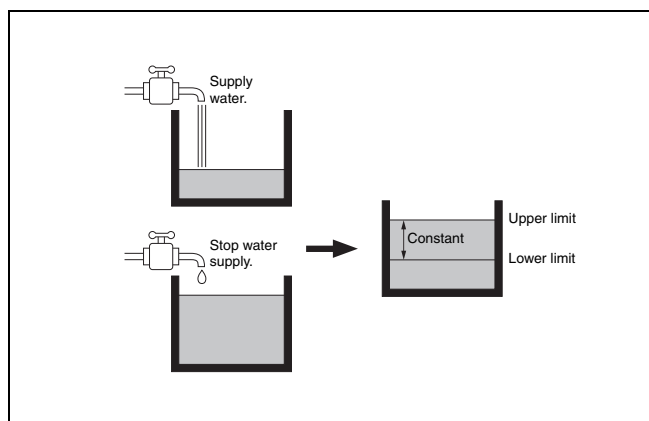
The operating principle is explained using a case where water is supplied from the water mains.

Office and apartment buildings normally have a ground tank and an elevated tank. Water is supplied from the water mains into the ground tank, pumped up to the elevated tank, then distributed to each floor.

When the water level in the elevated tank is low, water is pumped up from the ground tank to supplement it. When the water level reaches a certain level, the pump stops. (See figure 1.)

Elevated tanks are controlled in this manner to maintain the water level within upper and lower limits as shown below.

Figure 1. Water Supply Control



### Pump Control According to Water Level (Two-pole Method)

1. When electrode E<sub>1</sub> is not in contact with the conductive liquid as shown in figure 2, the electrical circuit is open, and no current flows between electrodes E<sub>1</sub> and E<sub>3</sub>. Consequently relay X does not operate and the contact remains at the b side.
2. When electrode E<sub>1</sub> is in contact with the conductive liquid as shown in figure 3, the circuit closes due to the conductive fluid completing the circuit between E<sub>1</sub> and E<sub>3</sub>. Relay X operates and switches to the a side.

By connecting the relay contacts to a contactor, the pump can be turned ON and OFF.

However in practice, with only two electrodes, ripples on the surface of the liquid cause the relay to switch rapidly. This problem can be solved by forming a self-holding circuit. (The configuration shown in figures 2 and 3 can be used as water level alarms.)

Figure 2. Low Water Level

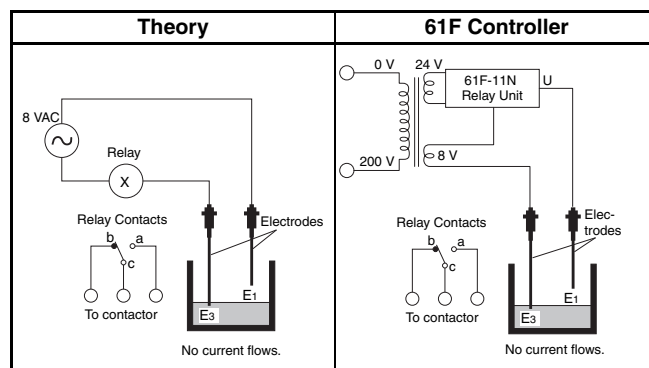


Figure 3. High Water Level

