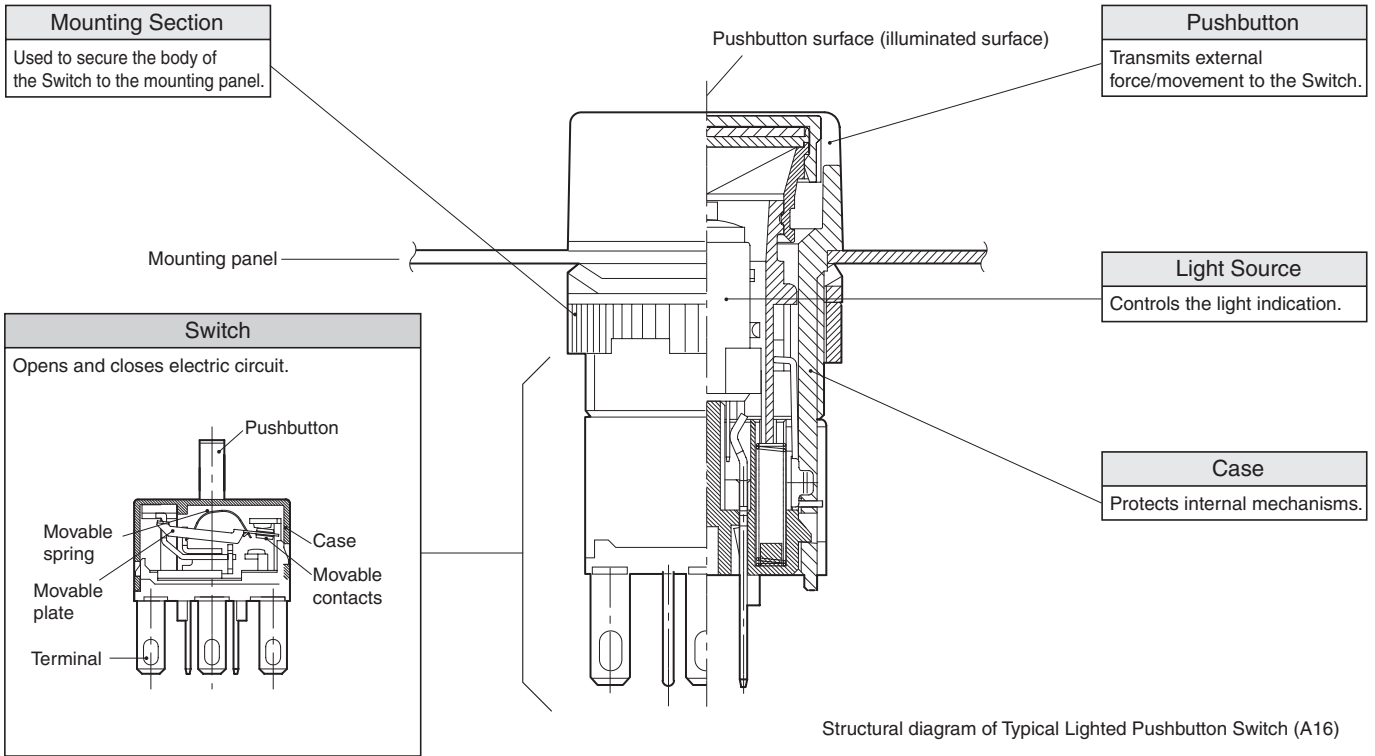


## Overview of Pushbutton Switches

### Terms for Configuration and Structure

A Pushbutton Switch is a switch designed so that its contacts are opened and closed by depressing and releasing a pushbutton on the Switch in the direction of its axis. Pushbutton Switches come in two categories: lighted and non-lighted. The structure of a typical Lighted

Pushbutton Switch is shown below. Broadly speaking, Lighted Pushbutton Switches are made up of the 5 sections shown below. Non-lighted Pushbutton Switches are made up of 4 sections, the 5 sections shown below less the light source.



### Terms for Operating Action

Operation	Explanation
Momentary operation	The pushbutton returns to its original position after it is released.
Alternate operation	The first time the pushbutton is pressed, an internal lock mechanism holds it in the same position. The next time it is pressed, the lock is released and the pushbutton returns to its original position.
Push-pull operation	When the pushbutton is pressed, an internal lock mechanism holds it in the same position. The pushbutton is returned to its original position when the pushbutton is pulled to release the lock.
Push-lock, turn-reset operation	When the pushbutton is pressed, an internal lock mechanism holds it in the same position. The pushbutton is returned to its original position when the pushbutton is twisted to release the lock.